

Taxi!

Wheels

Wheels allow things to move more smoothly and easily. Lots of different objects have wheels.



roller skates



suitcase



wheelbarrow trolley

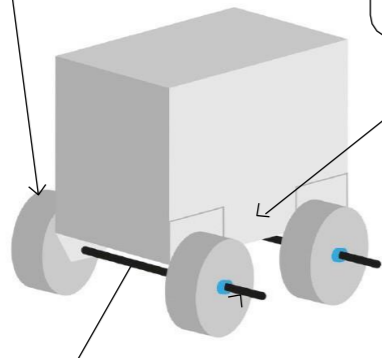


shopping trolley

Most vehicles have axles and wheels fixed to a chassis.

A **wheel** is a circular object that is joined to an axle.

A **chassis** is the frame of a vehicle.



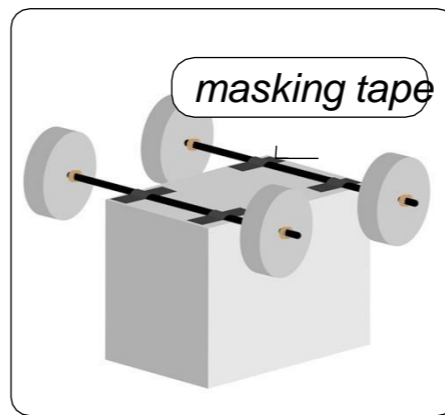
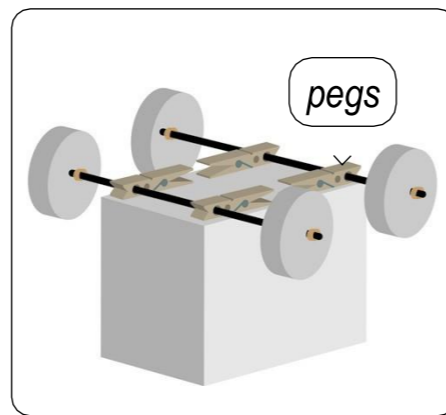
An **axle** is a rod that goes through the centre of a wheel and allows it to turn.

Ways of fixing axles on a chassis

There are different ways to attach the axles and wheels to the chassis of a model.

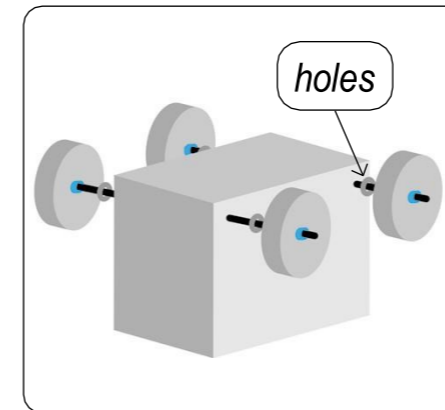
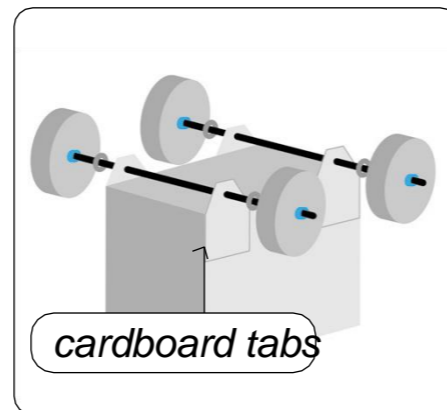
Fixed axles

Fixed axles cannot move but the wheels turn freely. Axles on models can be fixed in place using clothes pegs or masking tape.



Moving axles

Moving axles turn freely so the wheels are fixed to them. Moving axles can be held in place with cardboard tabs or pushed through holes in the chassis.



Taxis

Taxis are vehicles that carry passengers from one place to another. A taxi has a chassis, wheels and axles. It also has seats inside, a roof, windows and headlights.



Glossary

taxi	A vehicle with a driver, who you pay to take you where you want to go.
wheel	A circular object that is joined to an axle and spins round.
vehicle	A human made object that transports people or things around.
axle	A rod that goes through the centre of a wheel to allow it to turn.
chassis	The main frame of a vehicle.

